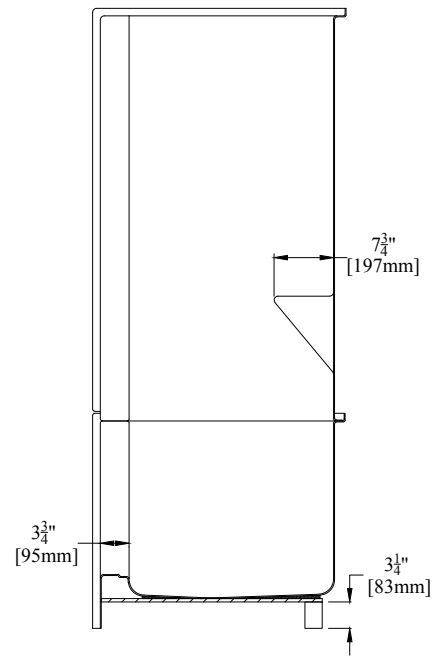
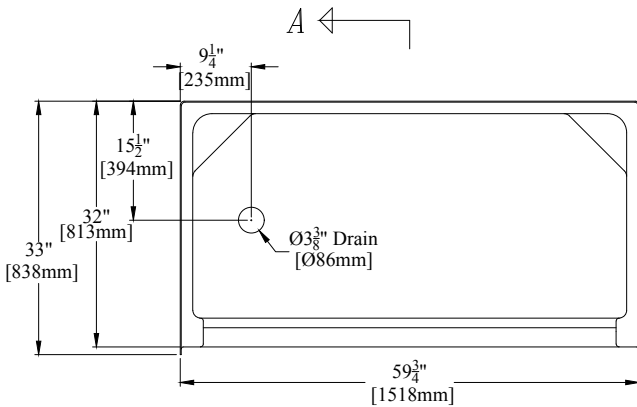


**ELEVATION**



**SECTION "A-A"**



**PLAN**

59 3/4" [1518mm] 3-Piece Shower  
w/ Molded Soap Ledges

Left Hand Version (6032LSDX) Shown

**PRODUCT SPECIFICATIONS:**

- \* Product complies with NAHB, HUD UM-73A, and ANSI-Z124.1.2.
- \* Reinforced & slip resistant floor.
- \* Sufficient drain clearance to accommodate above the floor plumbing.
- \* Integral 1" [25mm] nailing flange.
- \* Molded shelving.
- \* Door Opening: W-53 3/4" [1365mm]  
H-72 1/2" [1842mm]
- \* All dimensions +/- 1/2" [12.8mm]
- \* Clarion Bathware reserves the right to change design and/or dimensions.
- \* Dimensions are the same for RE, MP, and all other versions of this model.

**6032LSDX or 6032RSDX**

**59 3/4" [1518mm] 3-Piece Shower w/ 7" [178mm] Threshold,  
Molded Soap Ledges, & Left or Right Hand Drain**

**Clarion**  
BATHWARE  
44 Amsler Ave.  
Shipperville, PA 16254

Phone: (814) 226-5374  
Toll Free: (800) 576-9228  
Fax: (814) 226-0730  
www.clarionbathware.com

Signatures For Approval:

Customer: \_\_\_\_\_  
Arch./Engr: \_\_\_\_\_

Date: \_\_\_\_\_

Dwg. #  
6032LSDX or  
RSDX-CUT

Quote #: \_\_\_\_\_  
Job Name: \_\_\_\_\_

Dwg. By: NMH  
DATE: 4/24/2017

**\*\*\* IMPORTANT NOTICE \*\*\***

Clarion Bathware reserves the right to change the design and/or dimensions of its products at any time. This drawing may have been updated since this publication was issued. Before placing an order for any product, refer to our website at [www.clarionbathware.com](http://www.clarionbathware.com) to obtain the most current drawings for any products that you wish to purchase. Compare the date of revision of the drawing that you have with the one on the drawing on our website. If you do not have internet access, please call your sales representative or Clarion Bathware's sales department at 1-800-576-9228.